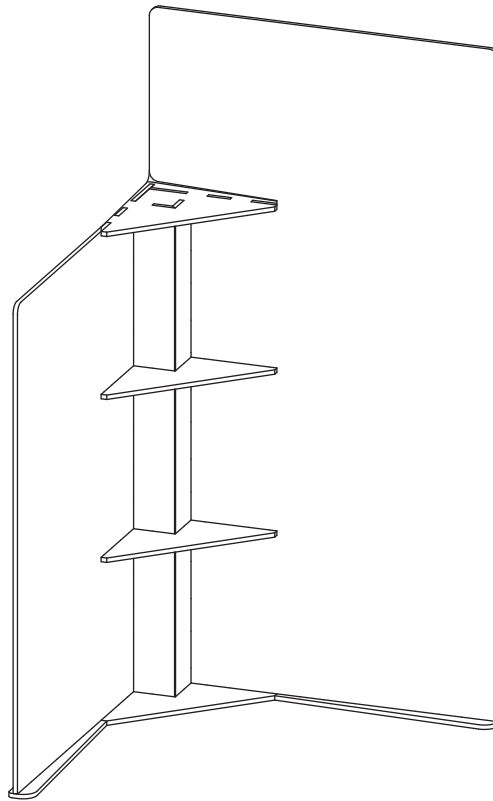


INSTALLATION INSTRUCTIONS

KULMA



PARTS & HARDWARE



SCREEN A
QUANTITY: 1



SCREEN B
QUANTITY: 1



CAP
QUANTITY: 2



SHELF
QUANTITY: 2



MAIN POST
QUANTITY: 1



BOTTOM TRIM
QUANTITY: 2

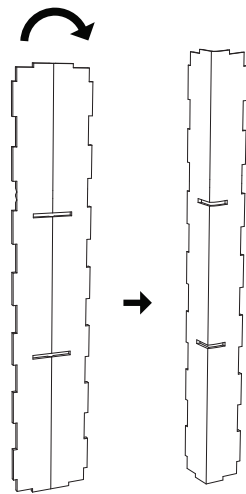
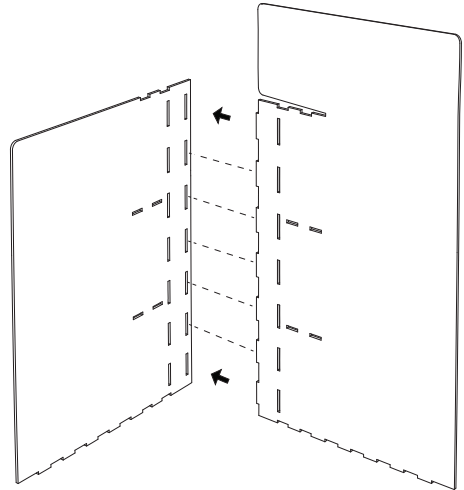
*Images reflect typical hardware options. Please refer to packing list for items & quantities specific to your order

RECOMMENDED TOOLS
No tools are needed.

INSTALLATION INSTRUCTIONS

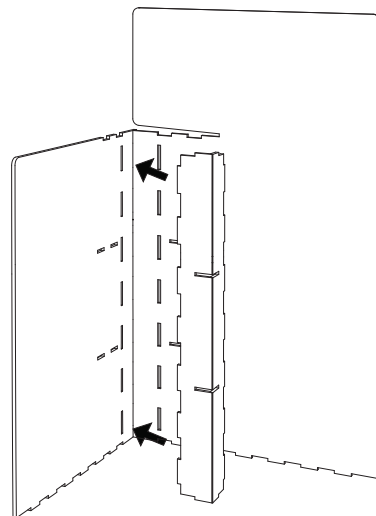
KULMA

- 1 Insert the tabs of SCREEN A into the rightside Holes of SCREEN B.



- 2 Fold the MAIN POST up to 90 degrees.

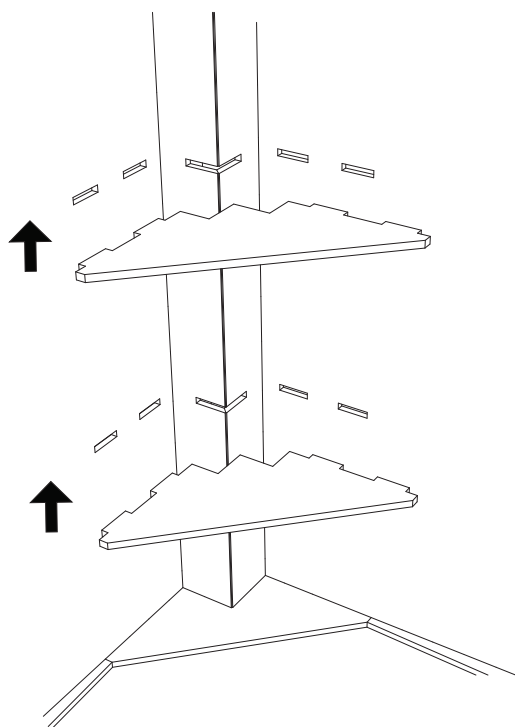
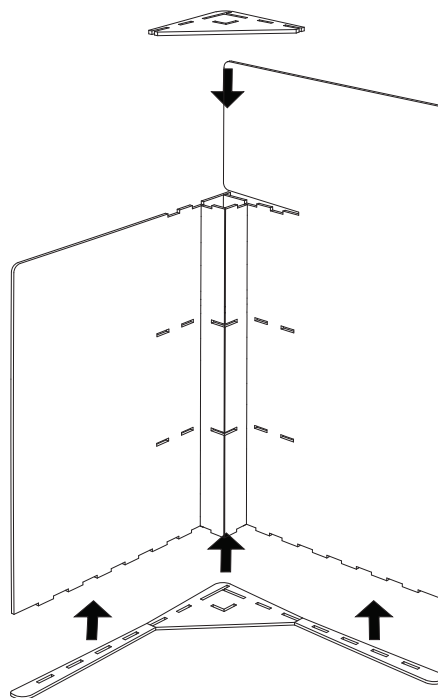
- 3 Insert the tabs of MAIN POST on the screens. (This is a 2 person task)



INSTALLATION INSTRUCTIONS

KULMA

- 4** Put the CAPS and the BOTTOM TRIMS on to lock up the structure.



- 5** Install the SHELVES.

UNITED STATES

Ayrsonics Mid West LLC

170 Prairie Lake Rd
East Dundee, IL 60118
P: 1-800-517-0686
sales@mw.ayrsonics.com

Ayrsonics Southwest LLC

8934 Eton Ave
Canoga Park, CA 91304
213-833-9700
sales@sw.ayrsonics.com

Ayrsonics New England LLC

32 Hampshire Rd
Salem, NH 03079
P: 603-824-9338 ext. 3001
P: 603-327-4349
sales@ne.ayrsonics.com

CANADA

Ayrsonics Inc - Ontario

825 Trillium Drive
Kitchener, Ontario N2R 1J9
P: 1-844-441-1122
sales@ayrsonics.com

Ayrsonics Inc - Alberta

#9112 – 52nd St. S.E.
Calgary, Alberta T2C 5A9
P: 1-844-441-1122
sales@ayrsonics.com

EzoBord Corporate Office

6845 Rexwood Road,
Unit 7 Mississauga,
ON L4V 1S5 Canada
+1 416 665 3571
info@ezobord.com

CENTRAL & LATIN AMERICA

EzoBord Costa Rica SRL

100 Sur 25 Oeste Recope
Bodega #18 Ochomogo, Cartago
+506 8842 4613
info-latam@ezobord.com

EzoBord - LATAM

Buenos Aires, Argentina
+54 9 11 5657 1793
info-latam@ezobord.com

UNITED KINGDOM

EzoBord UK Ltd

Unit 20 Westwood Business Park
Margate, Kent. CT9 4JJ
+44 1843 264027
sales@ezobord.co.uk

IRELAND

EzoBord Ireland

Unit 523, Greenogue Business Park
Rathcoole, Co. Dublin D24 RY89
+353 (0)1 443 3599
sales@ezobord.ie

FOLLOW US

